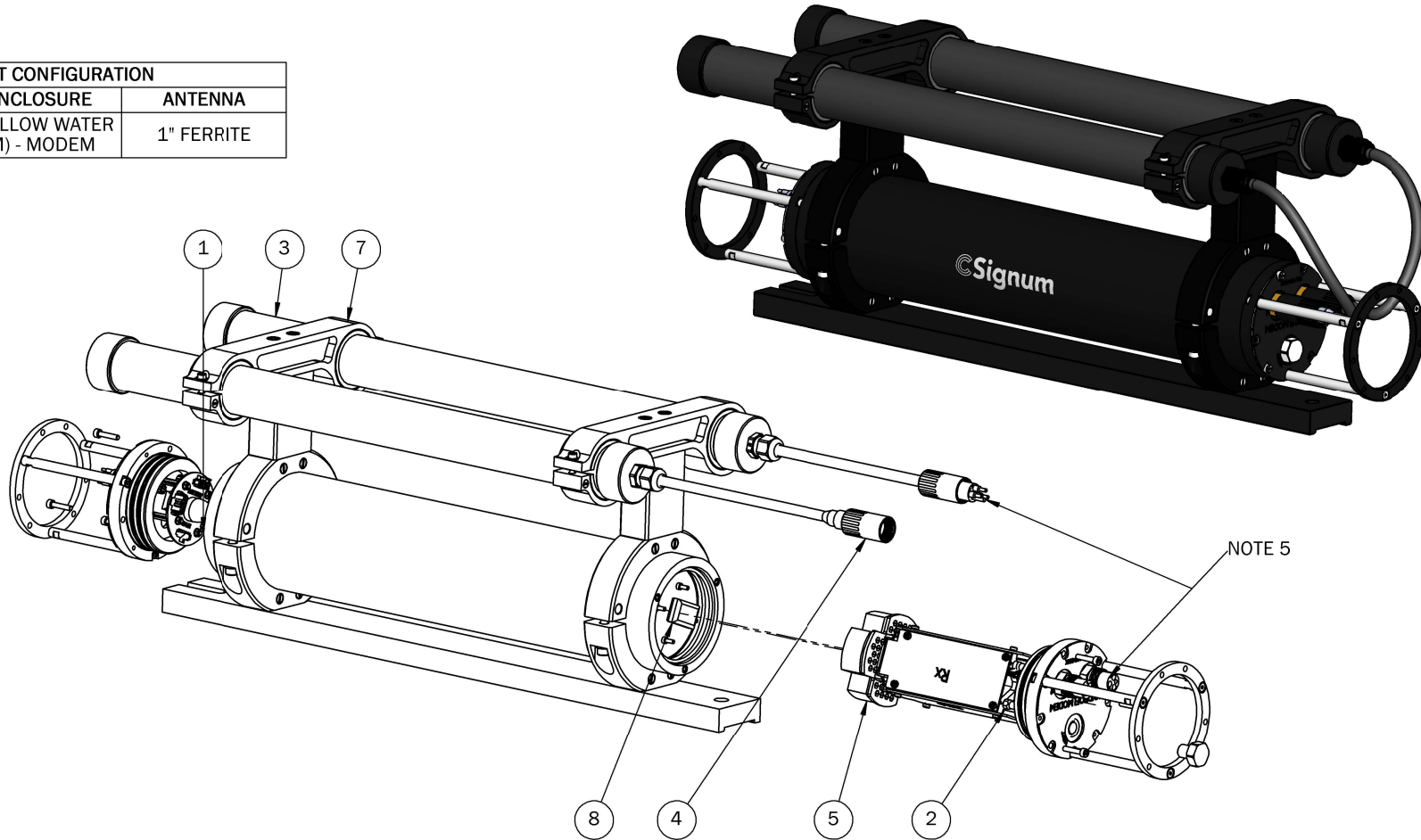



REVISIONS				
ZONE	REV.	DESCRIPTION	DATE	APPROVED
	A	INITIAL VERSION	23/11/22	RW
	B	UPDATES TO COMMON BRACKET	20/12/22	KW


PRODUCT CONFIGURATION		
ELECTRONICS	ENCLOSURE	ANTENNA
MODEM	SHALLOW WATER (M) - MODEM	1" FERRITE



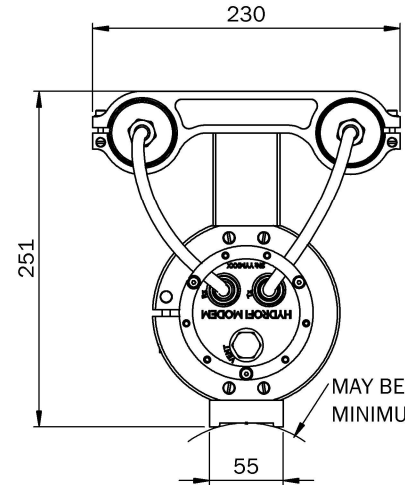
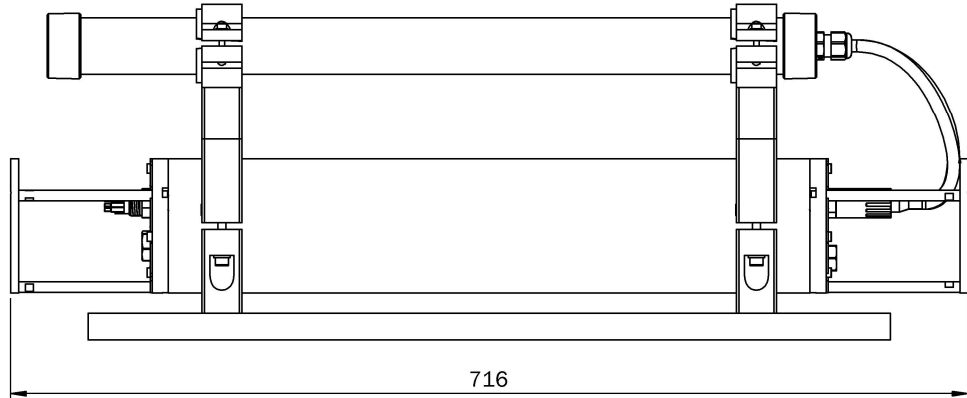
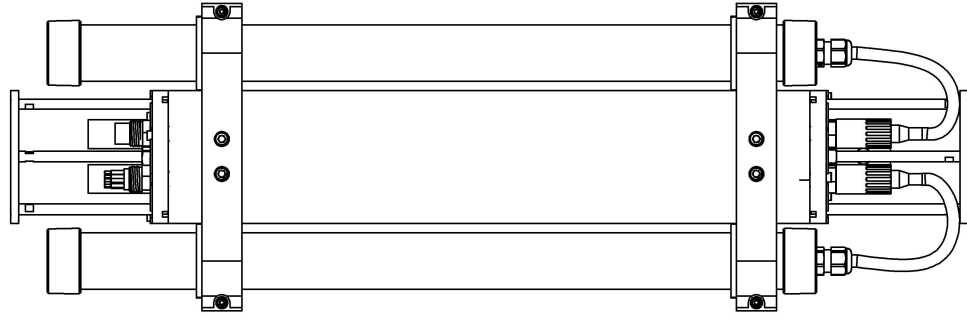
NOTES:

- INTERNAL CABLES HIDDEN FOR CLARITY
- DEPTH RATING: 250m
- MASS: 9.7 kg
- WEIGHT IN WATER: ~5 kg
- APPLY LUBRICANT 100194 TO CONNECTORS BEFORE MATING

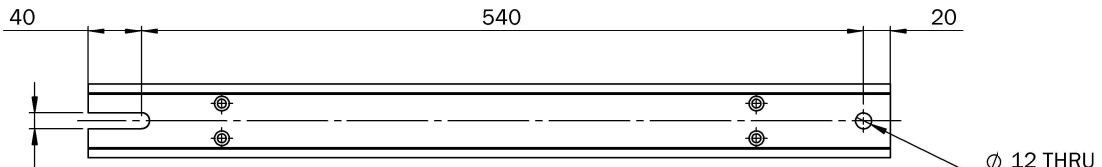
		<small>CSIGNALUM LTD UNIT 98, PYRAMIDS BUSINESS PARK BATHGATE, EH48 2EH, UK</small>	
<small>PROJECT/PRODUCT:</small> MOD-01			
<small>TITLE:</small> EM-1 MODEM GENERAL ARRANGEMENT			
<small>DWG NO:</small> 100029			
<small>PROJECTION: 3RD ANGLE</small>	<small>A3</small>	<small>SCALE: 1:4</small>	<small>SHEET 1 OF 3</small>

8								7								6								5								4								3								2								1							
																REVISIONS																																															
ZONE				REV.				DESCRIPTION								DATE				APPROVED																																											
				A				INITIAL VERSION								23/11/22				RW																																											
				B				UPDATES TO COMMON BRACKET								20/12/22				KW																																											
ITEM NO.		NUMBER		DESCRIPTION								MANUFACTURER				MPN				QTY.		UNIT																																									
1		100021		SHALLOW WATER ENCLOSURE - MODEM																1																																											
2		100027		PCB BAY ASSEMBLY - MODEM																1																																											
3		100097		FERRITE ANTENNA ASSEMBLY - TX																1																																											
4		100098		FERRITE ANTENNA ASSEMBLY - RX																1																																											
5		100149		BATTERY PROTECTION INSERT																1																																											
6		100194		SUBSEA CONNECTOR LUBRICANT								DOW CORNING/DUPONT				MOLYKOTE 44 MEDIUM				5		mL																																									
7		100210		COMMON BRACKET G2																1																																											
8		100255		SILICA GEL SACHET 2G								RS PRO				388-8421				1																																											
9		100266		HEXAGON SOCKET HEAD CAP SCREW DIN 912 - M3 X 8																4																																											
10		134-00		MODULE WIRING HARNESS 4 - TX & DSP PCB																1																																											
11		135-00		MODULE WIRING HARNESS 5 - PSU PCB																1																																											
NOTE:																																																															
1. ENDCAP FASTENERS ARE INCLUDED IN ENCLOSURE ASSEMBLY																																																															
2. AFFIX SILICA GEL TO BOTTOM ENDCAP WITH CABLE TIE																																																															
CSIGNALM LTD  <small>UNIT 9B, PYRAMIDS BUSINESS PARK BATHGATE, EH48 2EH, UK</small>																PROJECT/PRODUCT: MOD-01																																															
TITLE: EM-1 MODEM GENERAL ARRANGEMENT																DRAWING NO: 100029																																															
CSIGNALM ASSERTS AND WILL DEFEND OWNERSHIP OF DESIGNS, DESIGN CONCEPTS, AND INTELLECTUAL PROPERTY CONTAINED IN THIS DRAWING																PROJECTION: 3RD ANGLE		A3		SCALE: 1:5		SHEET 2 OF 3																																									
8								7								6								5								4								3								2								1							

REVISIONS				
ZONE	REV.	DESCRIPTION	DATE	APPROVED
	A	INITIAL VERSION	23/11/22	RW
	B	UPDATES TO COMMON BRACKET	20/12/22	KW



MAY BE MOUNTED TO CURVED SURFACE
MINIMUM ϕ 150



VIEW ON BRACKET
STANDARD MOUNTING INTERFACE
USE 2-OFF M10 BOLTS (NOT INCLUDED)

	<small>CSIGNUM LTD UNIT 9B, PYRAMIDS BUSINESS PARK BATHGATE, EH48 2EH, UK</small>		
	<small>PROJECT/PRODUCT: MOD-01</small>		
<small>TITLE: EM-1 MODEM GENERAL ARRANGEMENT</small>			
<small>DWG NO: 100029</small>			
<small>PROJECTION: 3RD ANGLE</small>	<small>A3</small>	<small>SCALE: 1:4</small>	<small>SHEET 3 OF 3</small>